

TECHNICAL DATASHEET



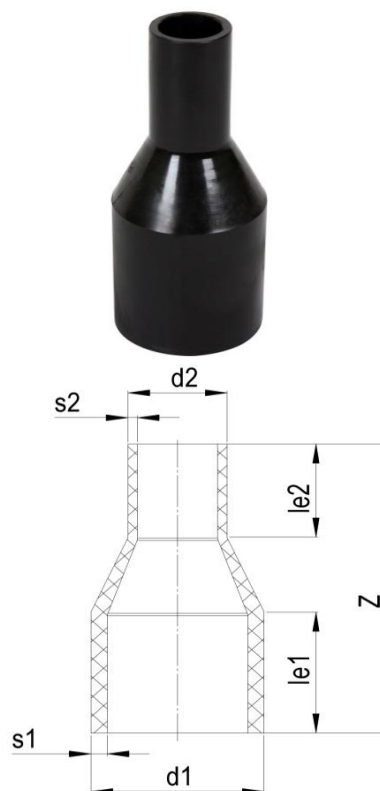
REDUCER

01 Update - 12/2018

TECHNICAL DATA

Article No	001 117 0080 0228
d1 (mm)	225
d2 (mm)	160
Z (mm)	280
le1 (mm)	120
le2 (mm)	98
s1 (mm)	20.5
s2 (mm)	14.6
Weight (Kg)	3.02
Box Quantity (pcs)	4
Box Dimension (pcs)	36x40x51

INJECTION MOULDED



IDENTIFICATION OF PRODUCT

D(mm)	225-160
SDR	11
RAW METARIAL	PE 100
PRESSURE CLASS	16 Bar Water 10 Bar Gas
TRADEMARK	NTG
EXECUTION	Injection Moulded
STANDARD	EN 12201-3 EN 1555-3 AS /N/ZS 4129

SPECIFICATION

Long Spigot

Tolerance on diameters and thickness according to the standards. The other dimensions are specialized. Tolerance $\pm 5\%$. NTG PLASTIK reserves all the right to change any information without giving prior notice. The production, distribution and utilization of this document without explicit authorization is prohibited.

Fr 161 Rev 00